



Innomed



CS 3000 - the new generation

Bucky table with integrated column system



CS 3000

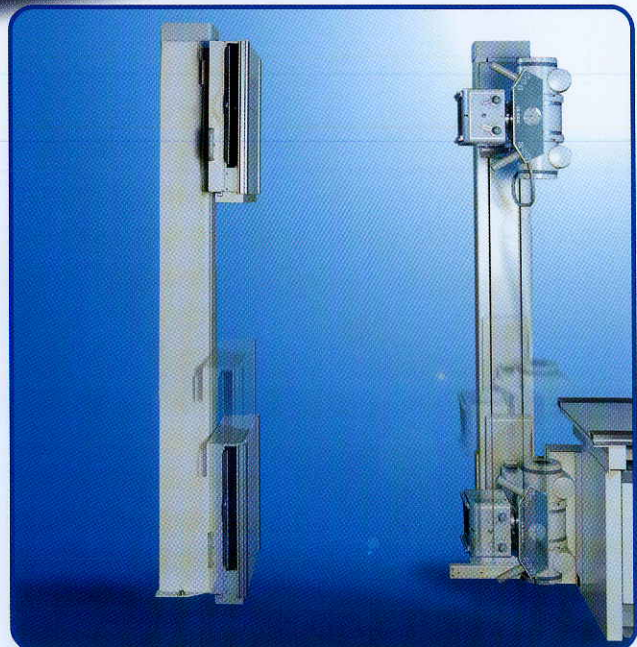
Compact, variable, reliable and, of course, high quality

Thanks to the consistent optimisation of all components, the CS 3000 is the ideal exposure device for head-to-toe x-ray diagnosis. Together with a wall stand, the CS 3000 can be used for all x-ray images of the skull, thorax, pelvis, skeleton and extremities, whether the patient is recumbent, sitting or standing. The particularly installation and service-friendly design guarantees economic application.



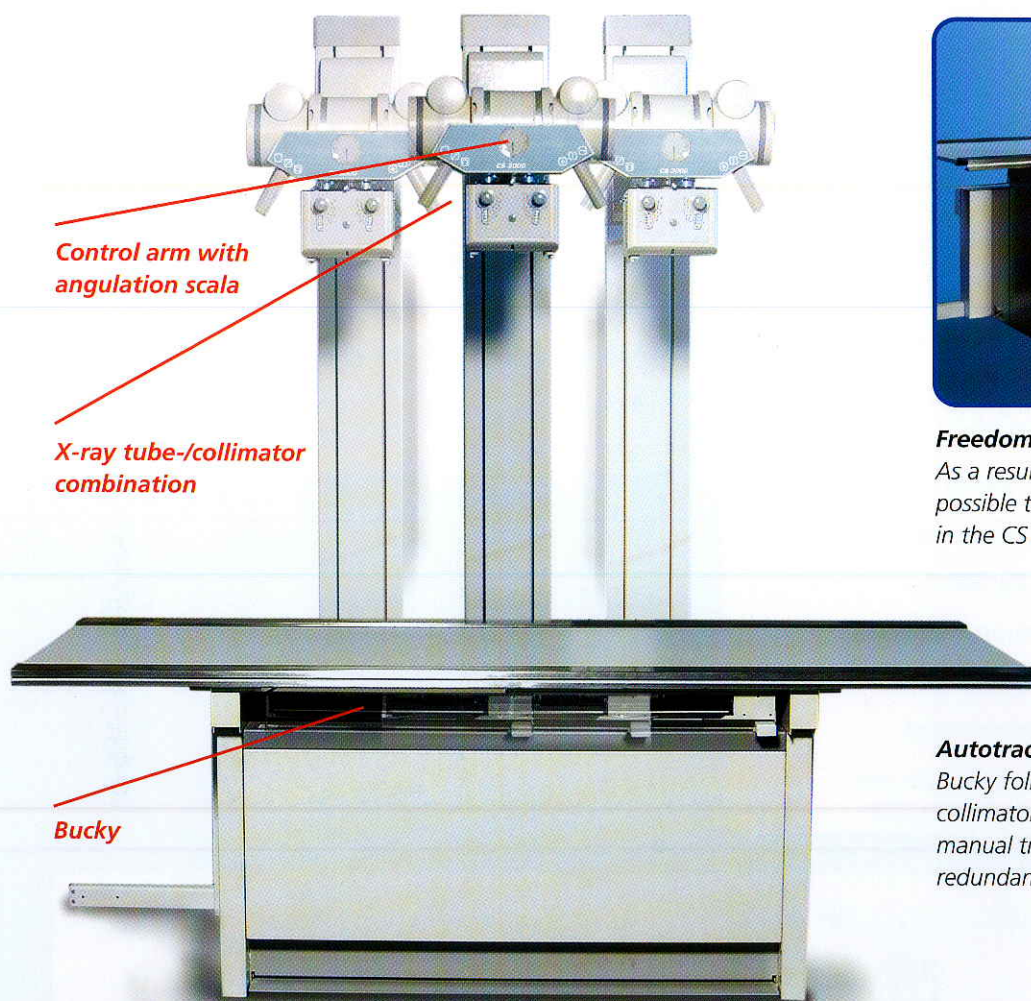
CS 3000 at a glance

- Floating tabletop
- Electro-magnetically braked
- Low absorption of radiation
- Maximum patient load
- Variable installation, depending on requirements
- Simple upgrade thanks to modular design



Depending on the wall stand preference, the rail system can be mounted on either the left or right-hand side.

Diverse options for greater convenience

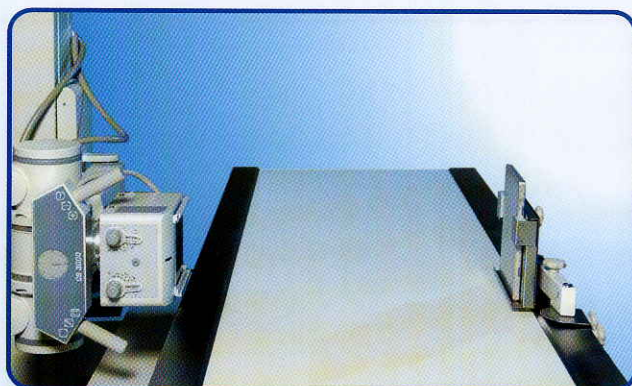


Freedom

As a result of the compact design, it is possible to integrate an x-ray generator in the CS 3000.

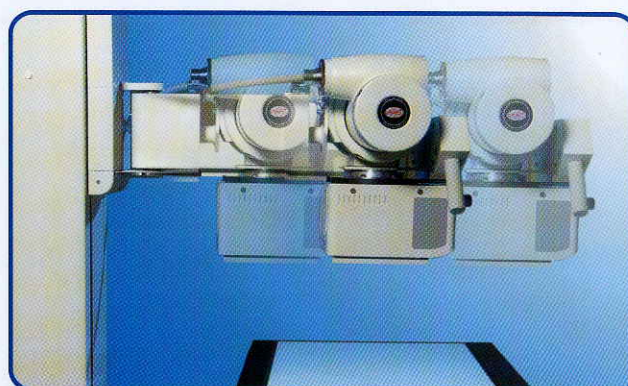
Autotracking

Bucky follows the x-ray tube-collimator combination centered – manual tracking of the bucky is redundant.



Lateral exposure

Simple positioning of the tube support arm up to +/- 90 for lateral exposures.



Telescopic function

Greater patient comfort thanks to variable tube positioning.

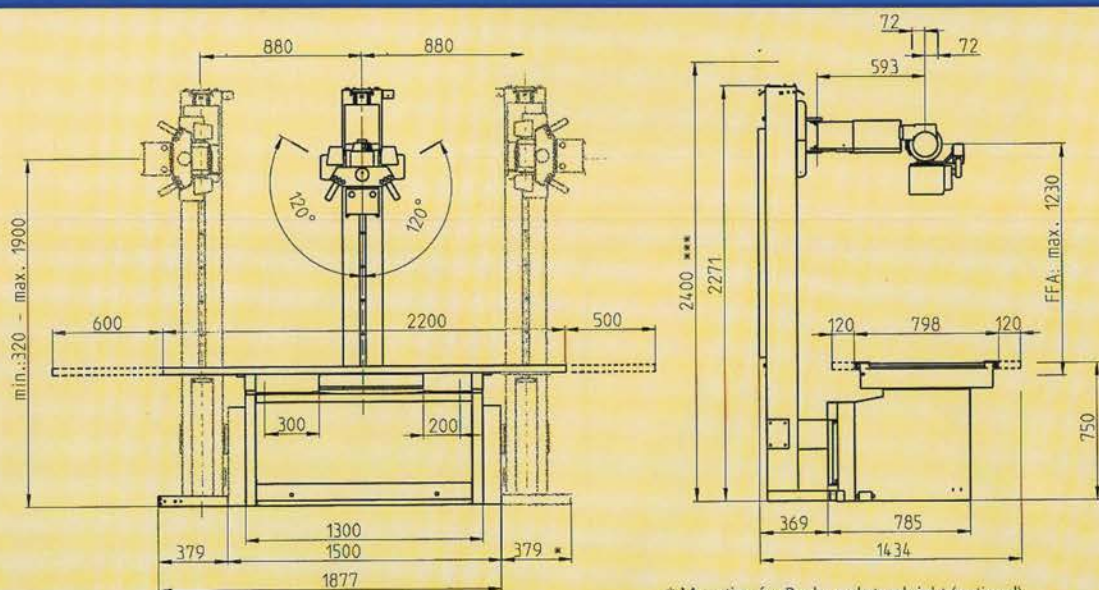
Technical data and accessories

CS 3000

Table height	750 mm
Tabletop	Longitudinal movement left 600 mm / right 500 mm Transverse movement ± 120 mm
Tube travel range	from 320 mm to 1.900 mm
Bucky travel range	left 300 mm / right 200 mm
Object to film dist.	max. 70 mm
Table top Al HVL	> 0.6 mm
Patient load	max. 450 kg (1.000 lb.)
Tabletop	2.20 m standard / 2.00 m opt.
Total weight	400 Kg (880 lb.)
Telescop arm	travel range ± 72 mm
Support arm	Standard: fixed Optional: tiltable Optional: tiltable and transversal movable

Accessories

Patient hand grip
Table top pad
Compression Device
Skull and hip supports
Lateral cassette holder
Patella projection positioning device (Sunrise view)
Bucky
Grid



* Mounting for Bucky wal stand right (optional)
*** Space required



Innomed